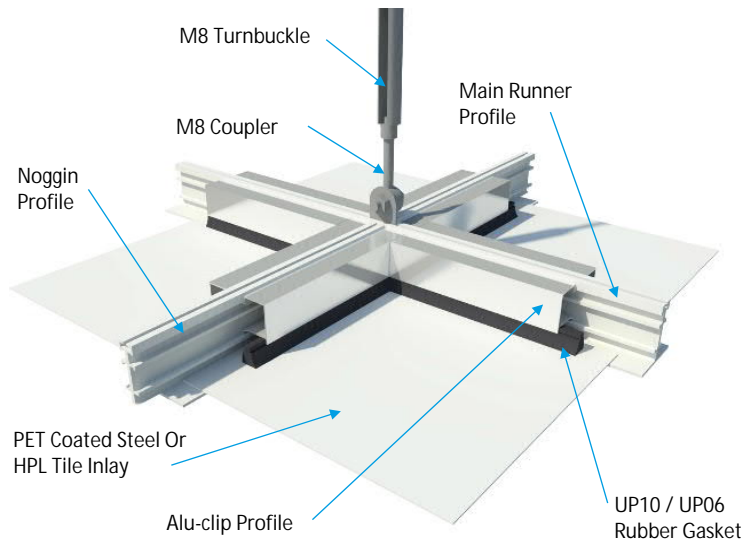


P Grid Ceiling System Medium Duty

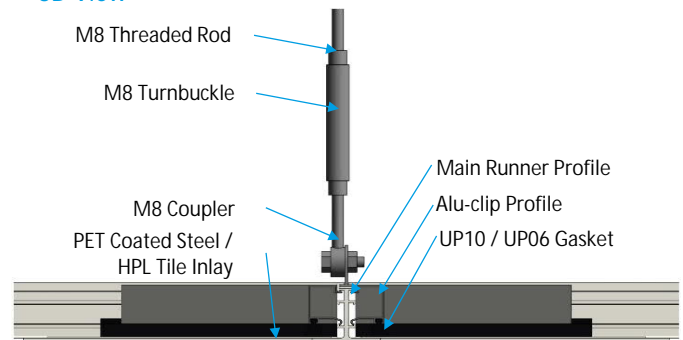
Ref: DS006

Cleanroom gasketed grid ceiling system comprised of:

- > Extruded aluminium main runner profile 48x45mm
- > Supporting extruded aluminium noggin profile 48x45mm to create 1200x600mm or 600x600mm ceiling grid.
- > Optional tile inlay 0.6mm thick PET coated steel tile to RAL 9010 White or 6mm thick HPL (high pressure laminate) tile to RAL 9010 white.
- > Tile inlay secured to main runner & noggin grid using extruded rubber gasket (UP10 gasket for steel tile, UP06 gasket for HPL tile).
- > Rubber gasket secured to tile & main profiles using extruded aluminium alu-clip profile.
- > M8 threaded rod support to existing structure.



3D View



Section View

Characteristics & Performance

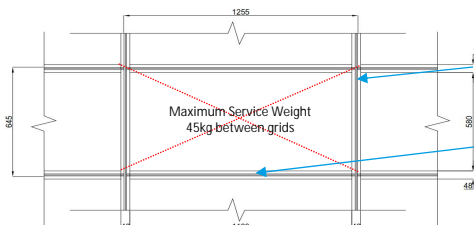
- > Grid Thickness: 60mm
- > Weight: 15kg/m²
- > Fire Classification: A2-s1-d0
- > Maximum Grid Span: 1255 x 2500 mm
- > Maximum Service Loading: 45kg per grid module

Tile Finish Options

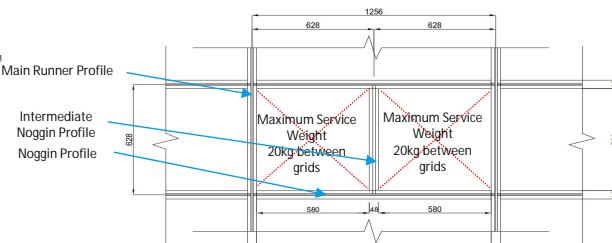
Panel Surface Finish Options

- > PET Coated Steel Tile to RAL 9010 White (TATA Advantica CL Clean)
- > HPL Tile to RAL 9010 White (Arpa HPL)

For other finishes please contact us



1200x600 Ceiling Grid Module



600x600 Ceiling Grid Module

Ordering Options						
Grid Size	Tile Finish	PET Finish Tiles (RAL9010)		HPL Tiles (RAL 9010)		
Order Code						
645 x 645		CS_PG_MD-PET-645-645		CS_PG_MD-HPL-645-645		
The order above includes enough material to cover a ceiling area of 7.5m ² . As per 3D view above.		2no Main Runner Profiles 6000mm Long. 11no Secondary Noggin Profiles 1208mm Long. 11no Secondary Noggin Profiles 580mm long. UP10 Rubber Gasket. Alu Clips To Suit. 10no Ceiling Tiles 1190x580mm.		2no Main Runner Profiles 6000mm Long. 11no Secondary Noggin Profiles 1208mm Long. 11no Secondary Noggin Profiles 580mm long. UP10 Rubber Gasket. Alu Clips To Suit. 10no Ceiling Tiles 1190x580mm.		
1255 x 645		CS_PG_MD-PET-1255-645		CS_PG_MD-HPL-1255-645		
The order above includes enough material to cover a ceiling area of 7.5m ² . As per 3D view above.		2no Main Runner Profiles 6000mm Long. 11no Secondary Noggin Profiles 1225mm Long. UP10 Rubber Gasket. Alu Clips To Suit. 10no Ceiling Tiles 1190x580mm.		2no Main Runner Profiles 6000mm Long. 11no Secondary Noggin Profiles 1225mm Long. UP10 Rubber Gasket. Alu Clips To Suit. 10no Ceiling Tiles 1190x580mm.		

Note: This ceiling is a Non-Walk on system, For non standard grid size please contact us.

Note: M8 Threaded Rod, M8 Nuts & Washers Sold Separately.

All information provided in this document is subject to legal disclaimers. It is the sole responsibility of the purchaser to determine the suitability of materials, products and components, in order to ensure that the final end-use product is safe for its end use; performs or functions as intended; and complies with all applicable legal and regulatory requirements.