

# PE 50 Partition System

Ref: DS009

Cleanroom partition panel comprised of:

- > Two external coated steel sheets with various surface finishes.
- > Bonded to a profiled aluminium frame to four edges.
- > With an aluminium honeycomb or rockwool core.
- > Panel edges profiled to interlock with adjoining panels by inserting a 30x33mm joint tube profile.
- > Panel sits on a recessed base track 100mm high secured to existing building floor structure. Vinyl or poured Epoxy floor can be installed flush with face of partition panel.

## Panel Characteristics & Performance

- > Panel Thickness: 50mm
- > Thickness of coated steel outer face: 0.6mm
- > Weight: 12kg/m<sup>2</sup> (honeycomb core)  
15kg/m<sup>2</sup> (rockwool core)
- > Fire Classification: A2-s1-d0
- > Maximum Panel Height: 4000mm (rockwool core)  
6000mm (Aluminium Honeycomb Core)
- > Maximum weight for items fixed to partition 15kg

## Panel Finish Options

Panel Surface Finish Options

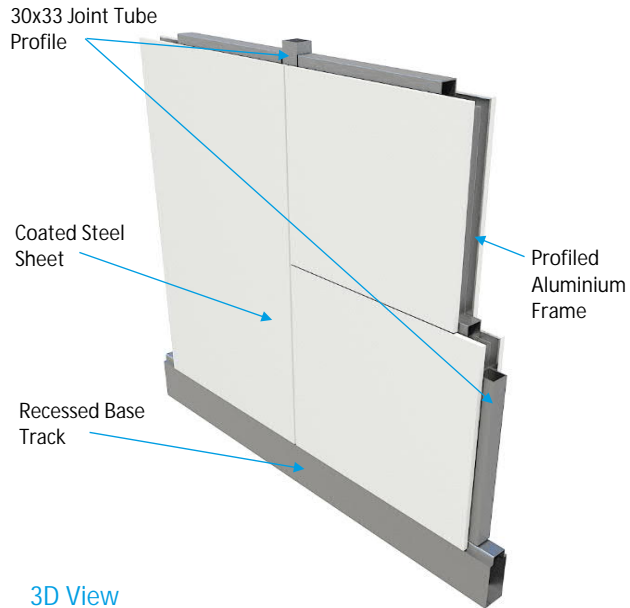
- > PET Coated Steel Substrate to RAL 9010 White (TATA Advantica CL Clean) (for silicone joints)
  - > uPVC Coated Steel Substrate to RAL 9010 White (TATA Advantica L Control) (for cold weld and silicone joints)
  - > uPVC Coated Steel Substrate to RAL 9016 Bright White (Lampre pre-coated) (for cold weld and silicone joints)
- For other finishes please contact us

## Panel Core Options

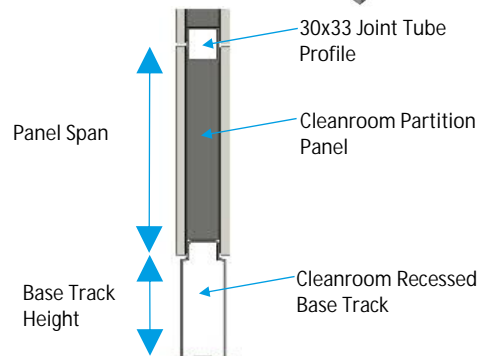
Panel Core Options

- > Rockwool Core (Density 100kg/m<sup>3</sup>)
- > Aluminium Honeycomb Core (Density 20kg/m<sup>3</sup>)

**CLEANROOM**  
.net



3D View



Section View

## Packaging

Panels stacked on a wooden pallet max 15 panels high. Max pallet height: 1500mm, Max pallet width: 1280mm. Max pallet length: 3000mm, Protection to the vertical & horizontal corners of the stack. ISPM 15 certified crafting available on request for US market.



Ordering Options						
Aluminium Honeycomb Core Panel						
Panel Size	Panel Finish	PET (RAL9010)		uPVC (RAL9010)		uPVC (RAL9016)
Order Code						
1200 x 2990		PS_PE50_564405-PET-1200-2990_ALU		PS_PE50_564405-PVCA-1200-2990_ALU		PS_PE50_564405-PVCB-1200-2990_ALU
1200 x 2890		PS_PE50_564405-PET-1200-2890_ALU		PS_PE50_564405-PVCA-1200-2890_ALU		PS_PE50_564405-PVCB-1200-2890_ALU
1200 x 2490		PS_PE50_564405-PET-1200-2490_ALU		PS_PE50_564405-PVCA-1200-2490_ALU		PS_PE50_564405-PVCB-1200-2490_ALU
1200 x 2390		PS_PE50_564405-PET-1200-2390_ALU		PS_PE50_564405-PVCA-1200-2490_ALU		PS_PE50_564405-PVCB-1200-2490_ALU
1200 x 2330		PS_PE50_564405-PET-1200-2330_ALU		PS_PE50_564405-PVCA-1200-2330_ALU		PS_PE50_564405-PVCB-1200-2330_ALU
1200 x 2000		PS_PE50_564405-PET-1200-2000_ALU		PS_PE50_564405-PVCA-1200-2000_ALU		PS_PE50_564405-PVCB-1200-2000_ALU
1200 x 1300		PS_PE50_564405-PET-1200-1300_ALU		PS_PE50_564405-PVCA-1200-1300_ALU		PS_PE50_564405-PVCB-1200-1300_ALU
1200 x 1200		PS_PE50_564405-PET-1200-1200_ALU		PS_PE50_564405-PVCA-1200-1200_ALU		PS_PE50_564405-PVCB-1200-1200_ALU
1100 x 1200		PS_PE50_564405-PET-1100-1200_ALU		PS_PE50_564405-PVCA-1100-1200_ALU		PS_PE50_564405-PVCB-1100-1200_ALU
1000 x 1200		PS_PE50_564405-PET-1000-1200_ALU		PS_PE50_564405-PVCA-1000-1200_ALU		PS_PE50_564405-PVCB-1000-1200_ALU
900 x 1200		PS_PE50_564405-PET-900-1200_ALU		PS_PE50_564405-PVCA-900-1200_ALU		PS_PE50_564405-PVCB-900-1200_ALU
1100 x 297		PS_PE50_564405-PET-1100-297_ALU		PS_PE50_564405-PVCA-1100-297_ALU		PS_PE50_564405-PVCB-1100-297_ALU
Rockwool Core Panel						
Panel Size	Panel Finish	PET (RAL9010)		uPVC (RAL9010)		uPVC (RAL 9016)
Order Code						
1200 x 2990		PS_PE50_564355-PET-1200-2990_RW		PS_PE50_564355-PVCA-1200-2990_RW		PS_PE50_564355-PVCB-1200-2990_RW
1200 x 2890		PS_PE50_564355-PET-1200-2890_RW		PS_PE50_564355-PVCA-1200-2890_RW		PS_PE50_564355-PVCB-1200-2890_RW
1200 x 2490		PS_PE50_564355-PET-1200-2490_RW		PS_PE50_564355-PVCA-1200-2490_RW		PS_PE50_564355-PVCB-1200-2490_RW
1200 x 2390		PS_PE50_564355-PET-1200-2390_RW		PS_PE50_564355-PVCA-1200-2490_RW		PS_PE50_564355-PVCB-1200-2490_RW
1200 x 2330		PS_PE50_564355-PET-1200-2330_RW		PS_PE50_564355-PVCA-1200-2330_RW		PS_PE50_564355-PVCB-1200-2330_RW
1200 x 2000		PS_PE50_564355-PET-1200-2000_RW		PS_PE50_564355-PVCA-1200-2000_RW		PS_PE50_564355-PVCB-1200-2000_RW
1200 x 1300		PS_PE50_564355-PET-1200-1300_RW		PS_PE50_564355-PVCA-1200-1300_RW		PS_PE50_564355-PVCB-1200-1300_RW
1200 x 1200		PS_PE50_564355-PET-1200-1200_RW		PS_PE50_564355-PVCA-1200-1200_RW		PS_PE50_564355-PVCB-1200-1200_RW
1100 x 1200		PS_PE50_564355-PET-1100-1200_RW		PS_PE50_564355-PVCA-1100-1200_RW		PS_PE50_564355-PVCB-1100-1200_RW
1000 x 1200		PS_PE50_564355-PET-1000-1200_RW		PS_PE50_564355-PVCA-1000-1200_RW		PS_PE50_564355-PVCB-1000-1200_RW
900 x 1200		PS_PE50_564355-PET-900-1200_RW		PS_PE50_564355-PVCA-900-1200_RW		PS_PE50_564355-PVCB-900-1200_RW
1100 x 297		PS_PE50_564355-PET-1100-297_RW		PS_PE50_564355-PVCA-1100-297_RW		PS_PE50_564355-PVCB-1100-297_RW

Note: Panel coated to one side only, standard backer to other side. For double sided finish or non standard panel size please contact us.

Note: 30x33 Joint Tube Profile, Corner Coving & Recessed Basetrack Sold Separately.

All information provided in this document is subject to legal disclaimers. It is the sole responsibility of the purchaser to determine the suitability of materials, products and components, in order to ensure that the final end-use product is safe for its end use; performs or functions as intended; and complies with all applicable legal and regulatory requirements.

CLEANROOM.net LTD  
The Prince, Castlecomer,  
Co. Kilkenny, R59 X8ER, Republic Of Ireland.

Tel: +353-56-449-1491  
Email: [Info@cleanroom.net](mailto:Info@cleanroom.net)  
Web: [www.cleanroom.net](http://www.cleanroom.net)