

PC 50 Partition System

Ref: DS012

Cleanroom Partition panel comprised of:

- > Two external coated steel sheets with various surface finishes.
- > Bonded to a profiled aluminium frame to four edges.
- > With an aluminium honeycomb core.
- > Panel edges profiled to interlock with adjoining panels by inserting a cruciform profile.
- > Panel sits on an adjustable recessed base track 100mm high secured to existing building floor structure. Vinyl or poured Epoxy floor can be installed flush with face of partition panel.

Panel Characteristics & Performance

- > Panel Thickness: 50mm
- > Thickness of coated steel outer face: 0.6mm
- > Weight: 13kg/m² (honeycomb core)
- > Fire Classification: A2-s1-d0
- > Maximum Panel Span: 6000mm (Aluminium Honeycomb Core)
- > Maximum weight for items fixed to partition 15kg

Panel Finish Options

Panel Surface Finish Options

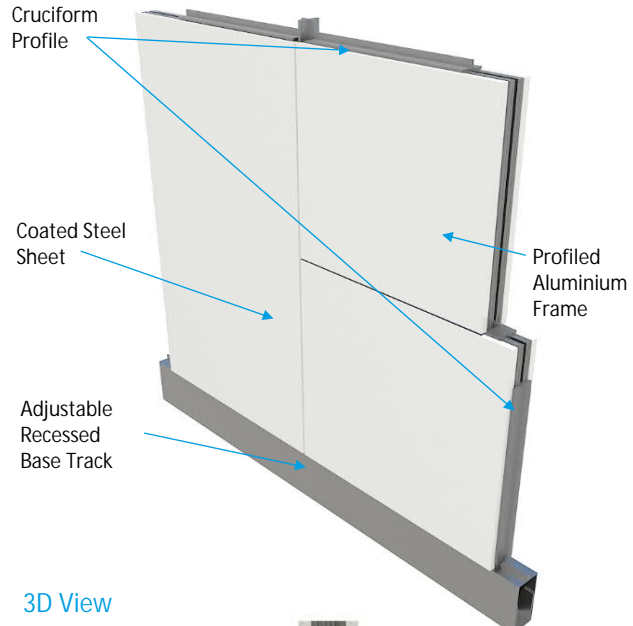
- > PET Coated Steel Substrate to RAL 9010 White (TATA Advantica CL Clean) (for silicone joints)
 - > uPVC Coated Steel Substrate to RAL 9016 Bright White (Lampre pre-coated) (for cold weld and silicone joints)
- For other finishes please contact us

Panel Core Options

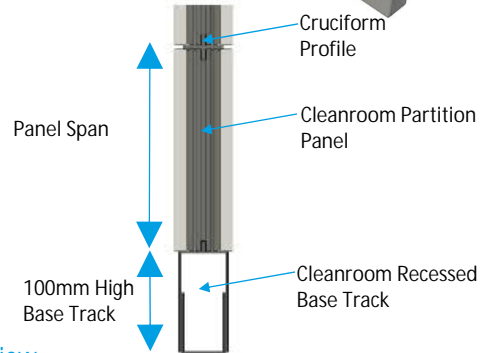
Panel Core Options

- > Aluminium Honeycomb Core (Density 20kg/m³)

CLEANROOM.net



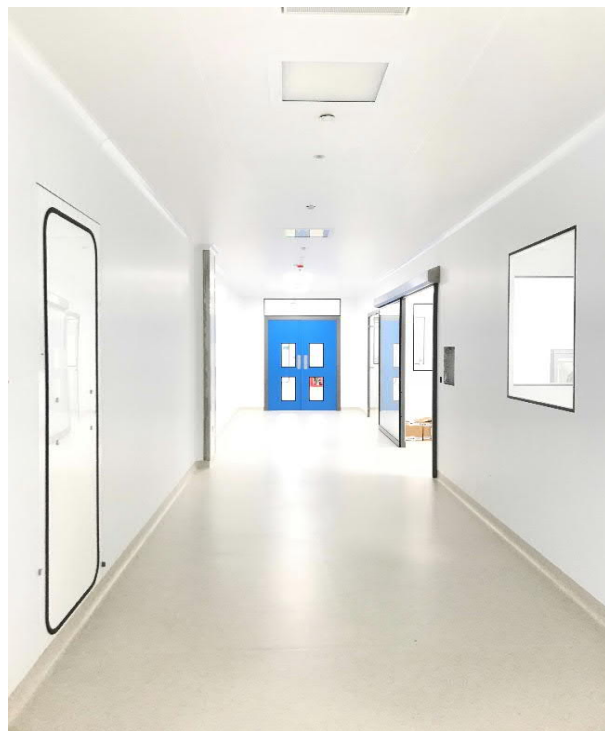
3D View



Section View

Packaging

Panels stacked on a wooden pallet max 15 panels high. Max pallet height: 1500mm, Max pallet width: 1280mm. Max pallet length: 3000mm, Protection to the vertical & horizontal corners of the stack. ISPM 15 certified crafting available on request for US market.



Ordering Options							
Aluminium Honeycomb Core Panel							
Panel Size	Panel Finish	PET (RAL9010)		uPVC (RAL9016)			
Order Code							
1200 x 2990		PS_PC_PET-1200-2990_ALU		PS_PC_PVC-1200-2990_ALU			
1200 x 2890		PS_PC_PET-1200-2890_ALU		PS_PC_PVC-1200-2890_ALU			
1200 x 2490		PS_PC_PET-1200-2490_ALU		PS_PC_PVC-1200-2490_ALU			
1200 x 2390		PS_PC_PET-1200-2390_ALU		PS_PC_PVC-1200-2390_ALU			
1200 x 2330		PS_PC_PET-1200-2330_ALU		PS_PC_PVC-1200-2330_ALU			
1200 x 2000		PS_PC_PET-1200-2000_ALU		PS_PC_PVC-1200-2000_ALU			
1200 x 1300		PS_PC_PET-1200-1300_ALU		PS_PC_PVC-1200-1300_ALU			
1200 x 1200		PS_PC_PET-1200-1200_ALU		PS_PC_PVC-1200-1200_ALU			
1100 x 1200		PS_PC_PET-1100-1200_ALU		PS_PC_PVC-1100-1200_ALU			
1000 x 1200		PS_PC_PET-1000-1200_ALU		PS_PC_PVC-1000-1200_ALU			
900 x 1200		PS_PC_PET-900-1200_ALU		PS_PC_PVC-900-1200_ALU			
1100 x 297		PS_PC_PET-1100-297_ALU		PS_PC_PVC-1100-297_ALU			
Rockwool Core Panel							
Panel Size	Panel Finish	PET (RAL9010)		uPVC (RAL9016)			
Order Code							
1200 x 2990		PS_PC_PET-1200-2990_RW		PS_PC_PVC-1200-2990_RW			
1200 x 2890		PS_PC_PET-1200-2890_RW		PS_PC_PVC-1200-2890_RW			
1200 x 2490		PS_PC_PET-1200-2490_RW		PS_PC_PVC-1200-2490_RW			
1200 x 2390		PS_PC_PET-1200-2390_RW		PS_PC_PVC-1200-2390_RW			
1200 x 2330		PS_PC_PET-1200-2330_RW		PS_PC_PVC-1200-2330_RW			
1200 x 2000		PS_PC_PET-1200-2000_RW		PS_PC_PVC-1200-2000_RW			
1200 x 1300		PS_PC_PET-1200-1300_RW		PS_PC_PVC-1200-1300_RW			
1200 x 1200		PS_PC_PET-1200-1200_RW		PS_PC_PVC-1200-1200_RW			
1100 x 1200		PS_PC_PET-1100-1200_RW		PS_PC_PVC-1100-1200_RW			
1000 x 1200		PS_PC_PET-1000-1200_RW		PS_PC_PVC-1000-1200_RW			
900 x 1200		PS_PC_PET-900-1200_RW		PS_PC_PVC-900-1200_RW			
1100 x 297		PS_PC_PET-1100-297_RW		PS_PC_PVC-1100-297_RW			

Note: Panel coated to one side only, standard backer to other side. For double sided finish or non standard panel size please contact us.

Note: Cruciform Profile, Corner Coving & Adjustable Base Track Sold Separately.

All information provided in this document is subject to legal disclaimers. It is the sole responsibility of the purchaser to determine the suitability of materials, products and components, in order to ensure that the final end-use product is safe for its end use; performs or functions as intended; and complies with all applicable legal and regulatory requirements.

CLEANROOM.net LTD
The Prince, Castlecomer,
Co. Kilkenny, R59 X8ER, Republic Of Ireland.

Tel: +353-56-449-1491
Email: Info@cleanroom.net
Web: www.cleanroom.net