

M100 Cleanroom Flush Double Glazed System

Ref: DS016

Cleanroom bi-panel vision system comprised of:

- > Two external 6mm laminated glazed hook on panels with various surface finishes.
- > Attached to 70mm x 40mm Vertical Stud & Horizontal Noggin Assembly.
- > Glazed panels sealed together within wall build up with a compressible EPDM gasket.
- > Individual panels removable from either side or mid way of partition run for future access.
- > Panel's sit on a Recessed Base Track 100mm high secured to existing building floor structure. Vinyl or poured Epoxy floor can be installed flush with face of partition panel.

Vision Panel Characteristics & Performance

- > Panel Thickness: 15mm, System Thickness: 100mm
- > Thickness of glass outer face: 6mm
- > Weight: 8kg/m²
- > Fire Classification: A0-s1-d0
- > Standard Panel Width: 1000mm
- > Maximum Panel Height: 2500mm
- > Maximum room temperature to one or both sides of vision panel 60°C

Glass Finish Options

Glass Surface Finish Options

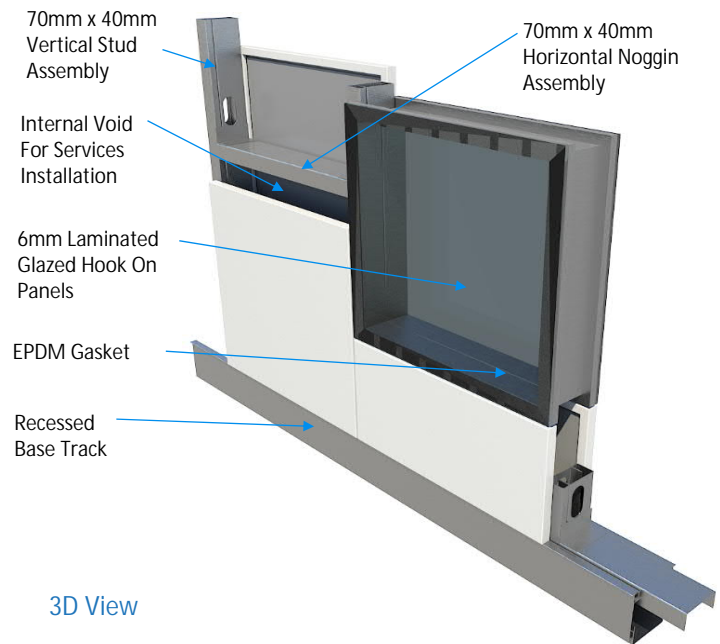
- > 6mm Laminated Glass (clear or tinted)
- > 6mm Toughened Glass (clear or tinted)
- > 8mm Toughened & Laminated Glass (clear)
- > 6mm Laminated Glass (with yellow low UV yellow transmittance film)
- > 6mm Laminated Glass with custom graphics / logos / opaque frosted manifestations.

Vision Panel Core Options

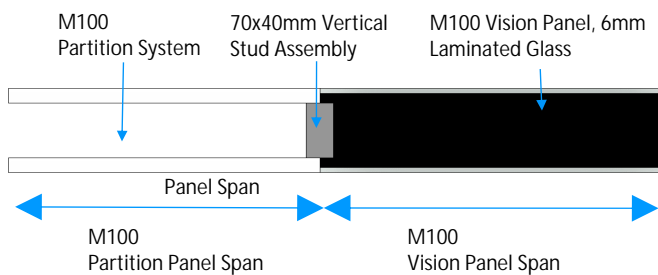
Panel Core Options

- > Built-in manually operated blind
- > Built-in electronically operated blind

CLEANROOM.net



3D View



Section View

Packaging

Panels stacked on a wooden pallet max 15 panels high. Max pallet height: 1500mm, Max pallet width: 1280mm. Max pallet length: 2500mm, Protection to the vertical & horizontal corners of the stack. ISPM 15 certified crafting available on request for US market.



Ordering Options

Double Glazed Vision Panel Standard

Panel Size	Glass Finish	6mm Laminated Clear Glass	6mm Toughened Clear Glass	8mm Toughened & Laminated Clear Glass
Order Code				
1000 x 800		GS_M100_LCG-1000-800	GS_M100_TCG-1000-800	GS_M100_TLCG-1000-800
1000 x 900		GS_M100_LCG-1000-900	GS_M100_TCG-1000-900	GS_M100_TLCG-1000-900
1000 x 1000		GS_M100_LCG-1000-1000	GS_M100_TCG-1000-1000	GS_M100_TLCG-1000-1000
1000 x 1100		GS_M100_LCG-1000-1100	GS_M100_TCG-1000-1100	GS_M100_TLCG-1000-1100
1000 x 1200		GS_M100_LCG-1000-1200	GS_M100_TCG-1000-1200	GS_M100_TLCG-1000-1200
1000 x 1300		GS_M100_LCG-1000-1300	GS_M100_TCG-1000-1300	GS_M100_TLCG-1000-1300
1000 x 1400		GS_M100_LCG-1000-1400	GS_M100_TCG-1000-1400	GS_M100_TLCG-1000-1400
1000 x 1500		GS_M100_LCG-1000-1500	GS_M100_TCG-1000-1500	GS_M100_TLCG-1000-1500
1000 x 1600		GS_M100_LCG-1000-1600	GS_M100_TCG-1000-1600	GS_M100_TLCG-1000-1600
1000 x 1700		GS_M100_LCG-1000-1700	GS_M100_TCG-1000-1700	GS_M100_TLCG-1000-1700
1000 x 1800		GS_M100_LCG-1000-1800	GS_M100_TCG-1000-1800	GS_M100_TLCG-1000-1800
1000 x 1900		GS_M100_LCG-1000-1900	GS_M100_TCG-1000-1900	GS_M100_TLCG-1000-1900
1000 x 2000		GS_M100_LCG-1000-2000	GS_M100_TCG-1000-2000	GS_M100_TLCG-1000-2000
1000 x 2100		GS_M100_LCG-1000-2100	GS_M100_TCG-1000-2100	GS_M100_TLCG-1000-2100
1000 x 2200		GS_M100_LCG-1000-2200	GS_M100_TCG-1000-2200	GS_M100_TLCG-1000-2200
1000 x 2300		GS_M100_LCG-1000-2300	GS_M100_TCG-1000-2300	GS_M100_TLCG-1000-2300
1000 x 2400		GS_M100_LCG-1000-2400	GS_M100_TCG-1000-2400	GS_M100_TLCG-1000-2400
1000 x 2500		GS_M100_LCG-1000-2500	GS_M100_TCG-1000-2500	GS_M100_TLCG-1000-2500

For Special Sizes or Special Glass Requirements Please Contact Us.

Note: 30x33 Joint Tube Profile, Corner Coving & Recessed Basetrack Sold Separately.

All information provided in this document is subject to legal disclaimers. It is the sole responsibility of the purchaser to determine the suitability of materials, products and components, in order to ensure that the final end-use product is safe for its end use; performs or functions as intended; and complies with all applicable legal and regulatory requirements.

CLEANROOM.net LTD
The Prince, Castlecomer,
Co. Kilkenny, R59 X8ER, Republic Of Ireland.

Tel: +353-56-449-1491
Email: Info@cleanroom.net
Web: www.cleanroom.net